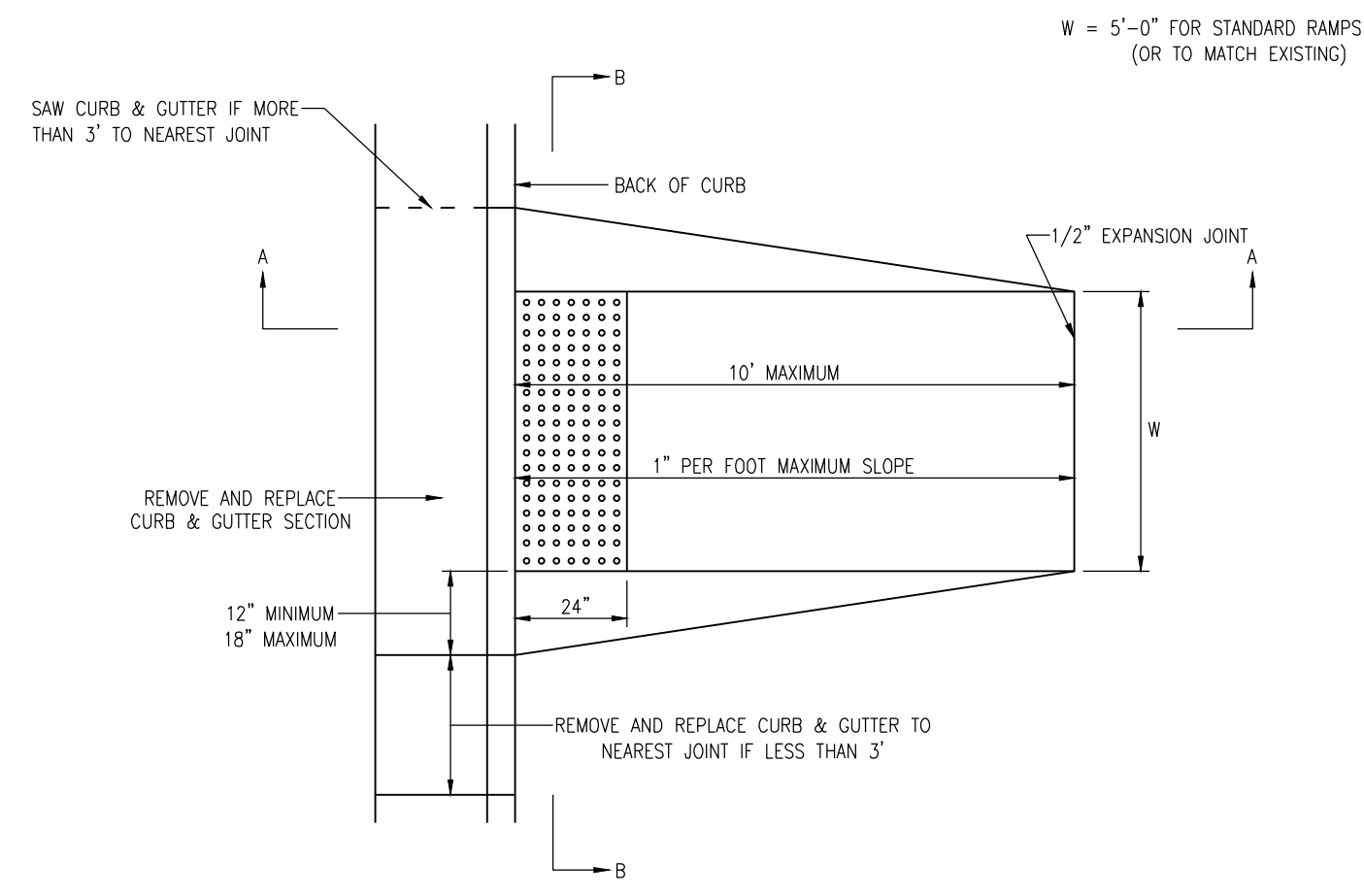
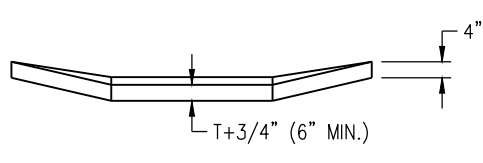


NO SCALE

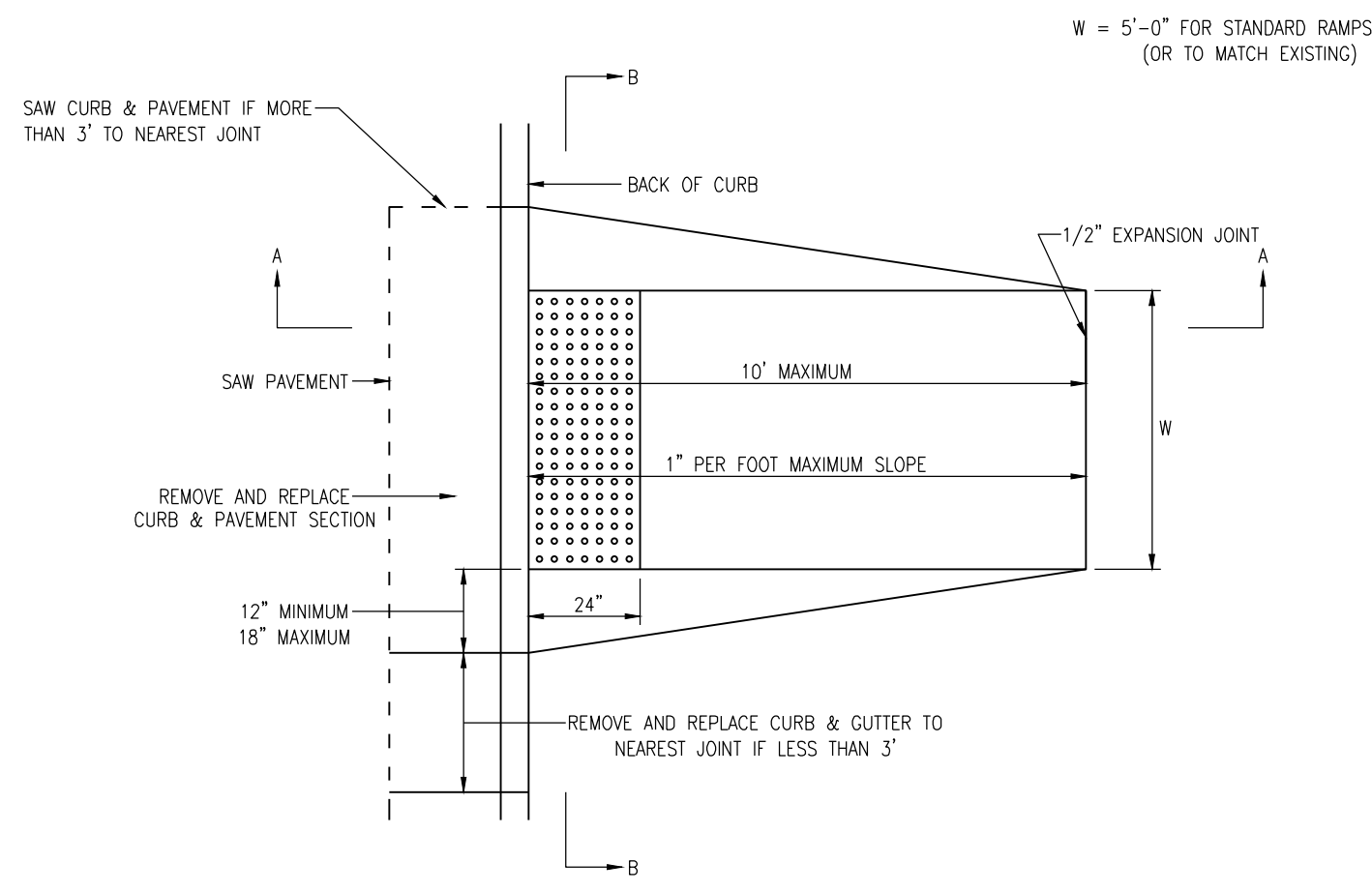


SECTION A-A

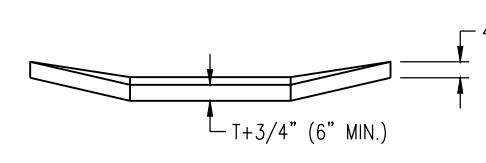


SECTION B-B

STANDARD WHEELCHAIR RAMP CONSTRUCTION DETAIL FOR STREETS WITH COMBINED CURB & GUTTER (CLASS A)

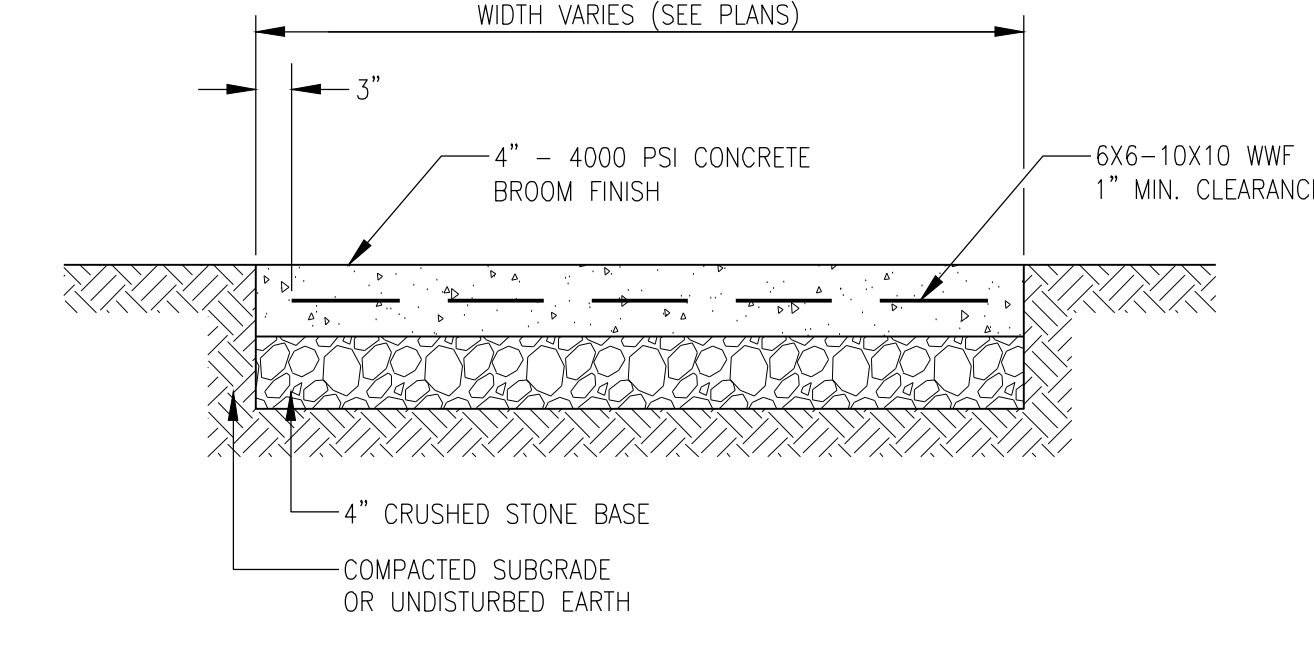


SECTION A-A

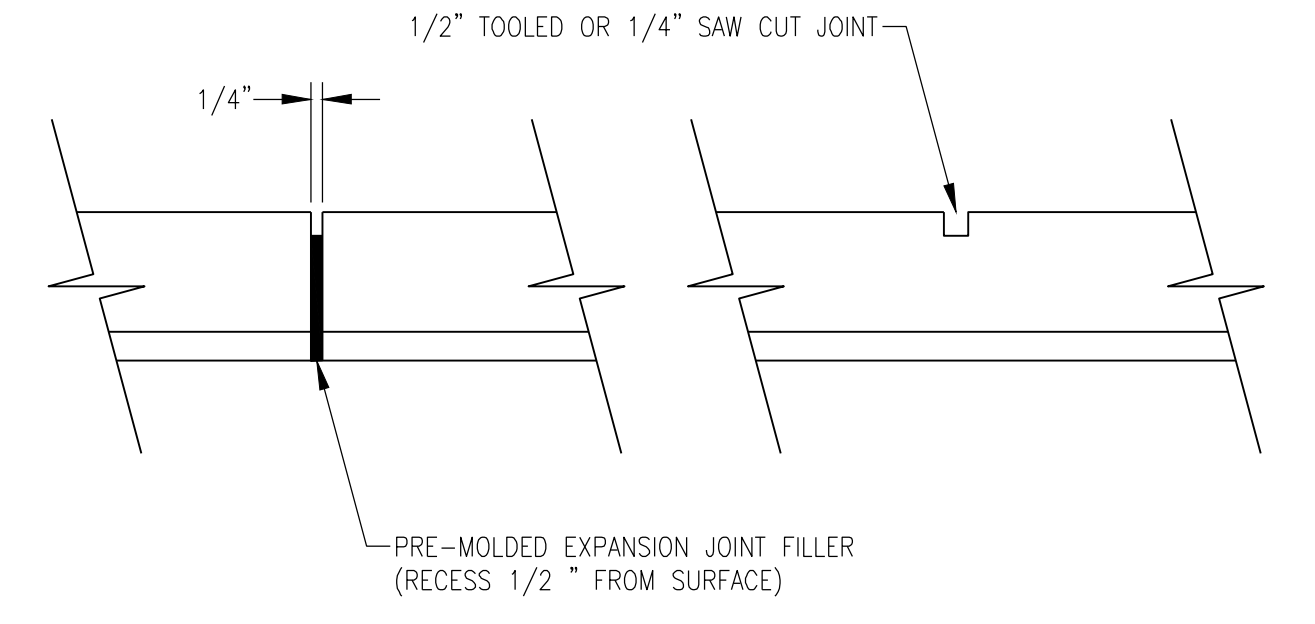


SECTION B-B

STANDARD WHEELCHAIR RAMP CONSTRUCTION DETAIL FOR CONCRETE STREETS WITH MONOLITHIC CURB (CLASS A)

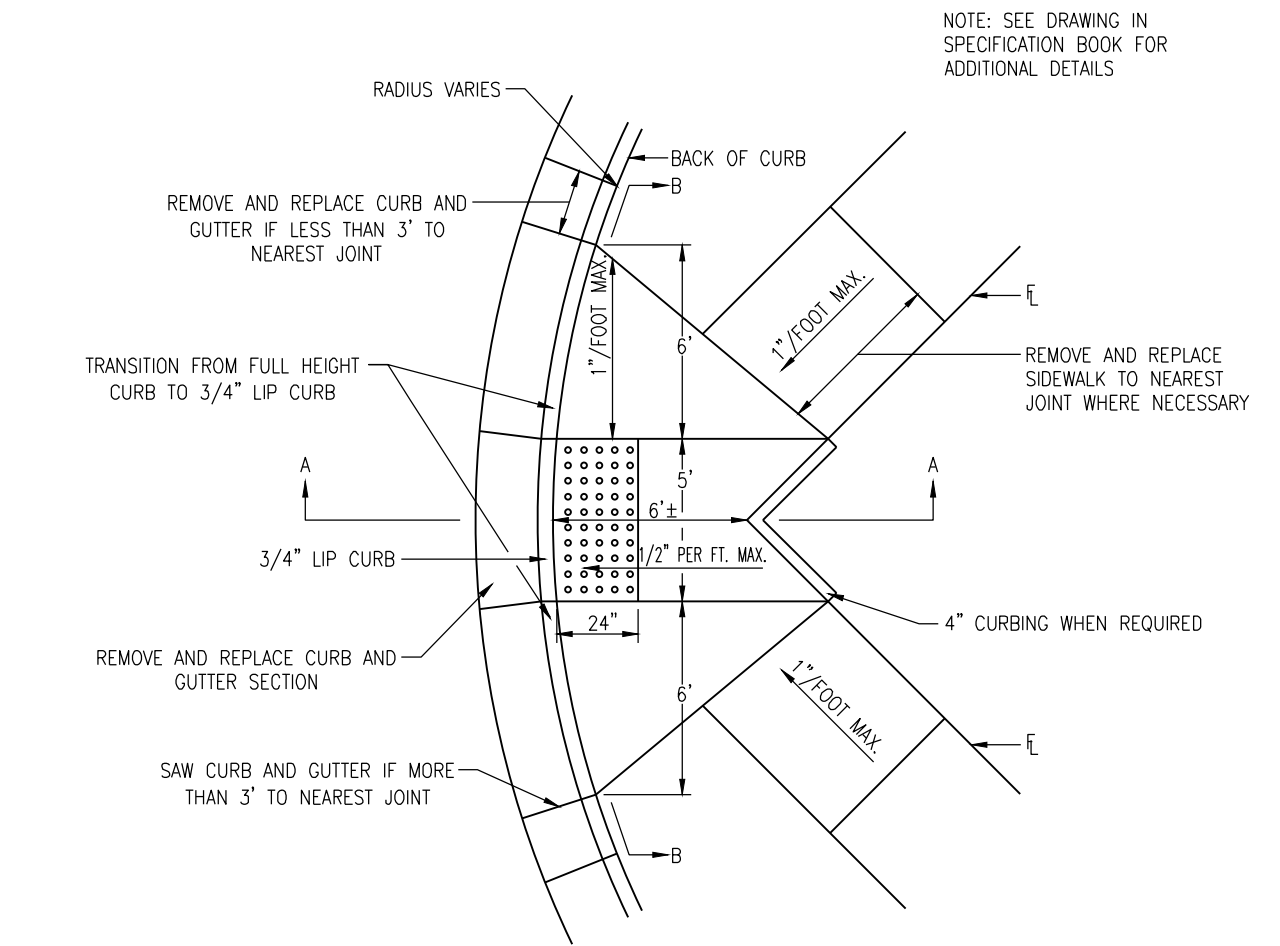


CONCRETE SIDEWALK DETAIL

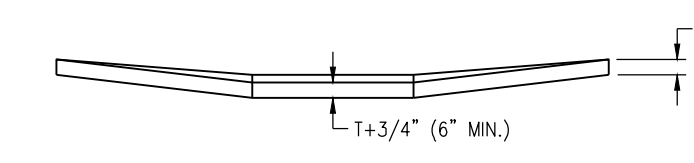


TYPICAL EXPANSION & CONTRACTION JOINT DETAIL

- EXPANSION JOINTS LOCATED AT 180' O.C.
- TOOLED JOINTS LOCATED AT 5' O.C.
- SIDEWALK IS TO BE LIGHT BROOM FINISHED IN DIRECTION OF SIDEWALK WIDTH.
- ALL SIDEWALKS TO HAVE 2% (MAX.) CROSS SLOPE.

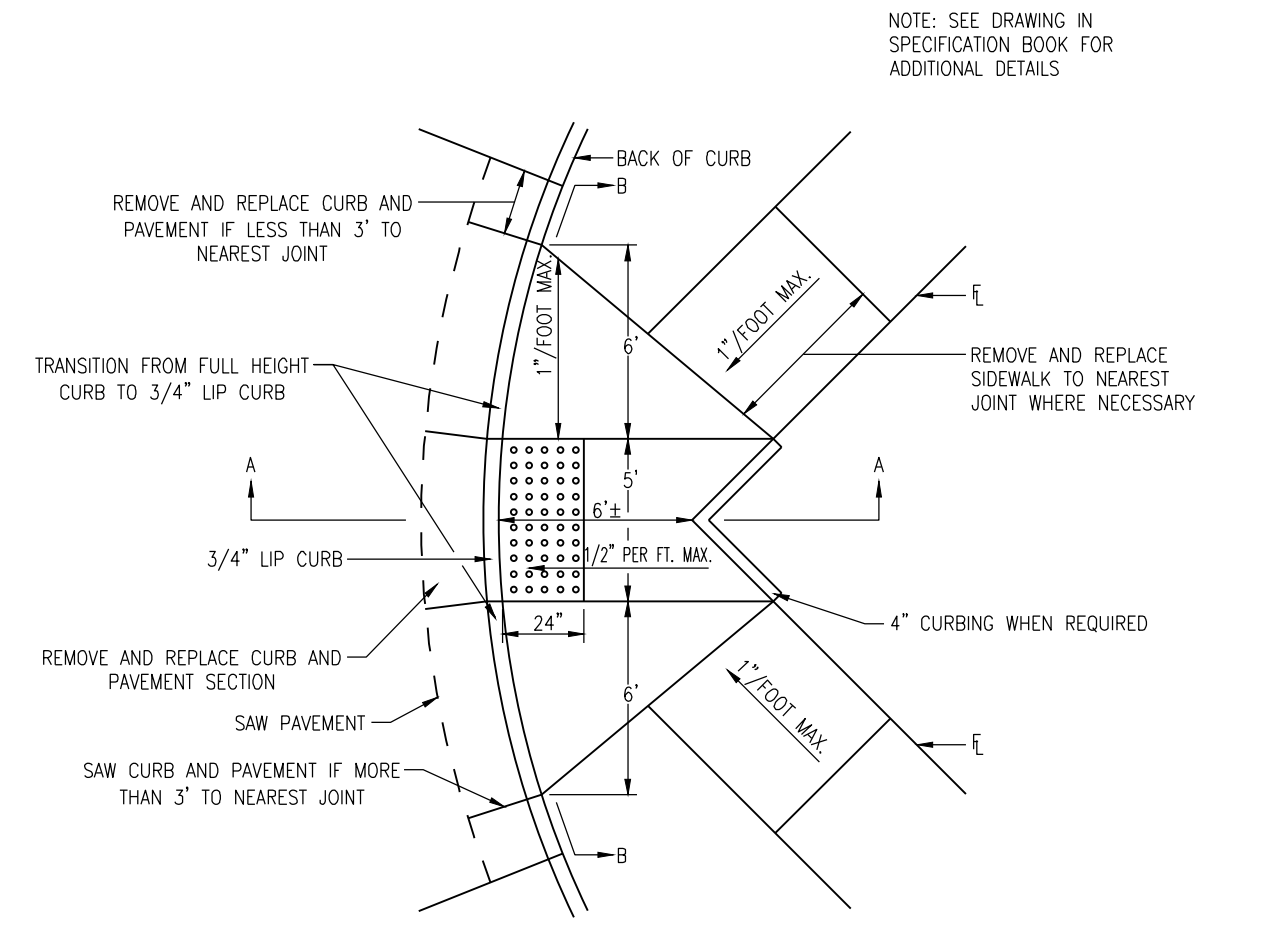


SECTION A-A

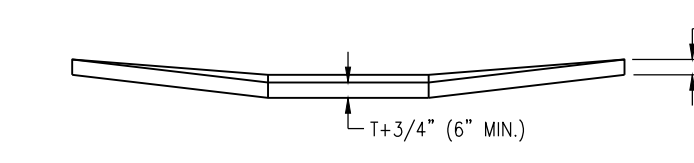


SECTION B-B

STANDARD WHEELCHAIR RAMP CONSTRUCTION DETAIL FOR STREET WITH COMBINED CURB AND GUTTER ON RADIUS WITH 6"± FROM BACK OF CURB TO PROPERTY CORNER (CLASS C)

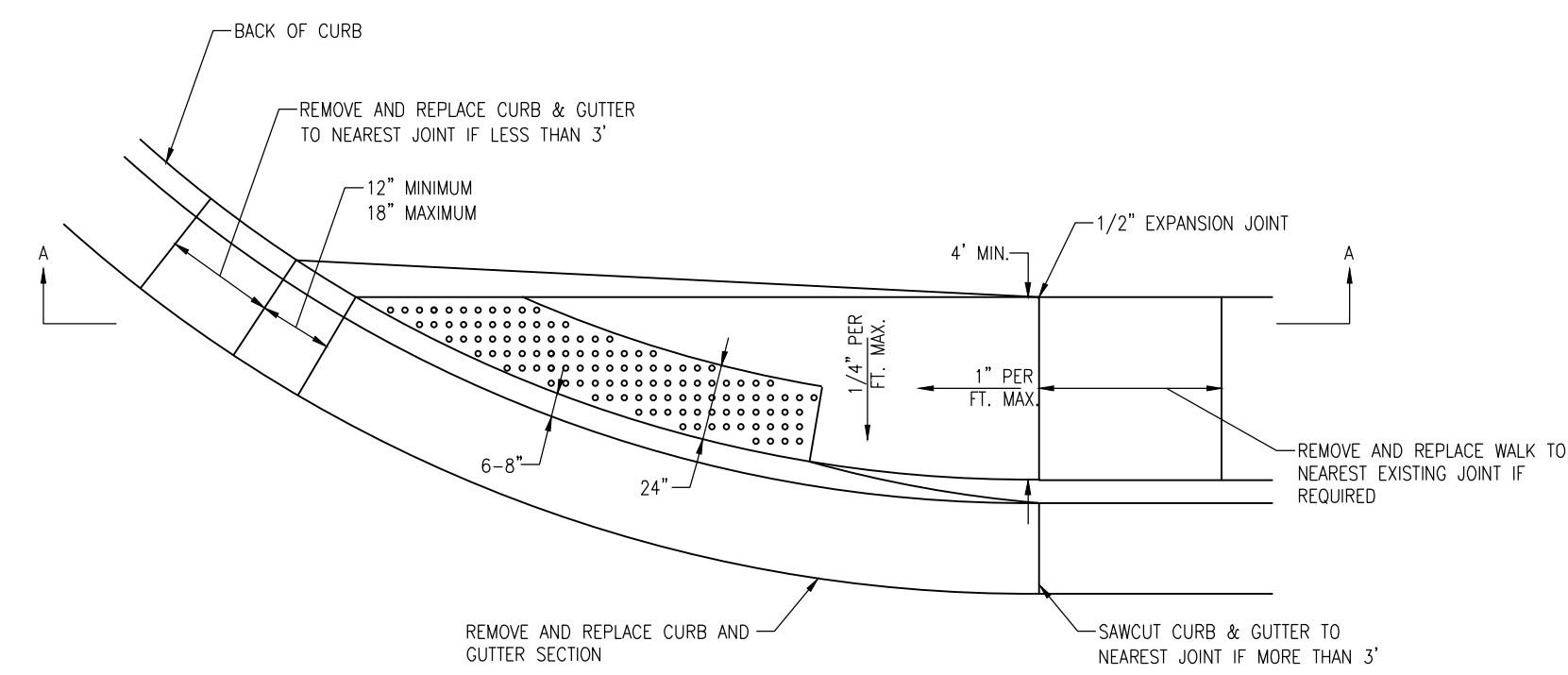


SECTION A-A

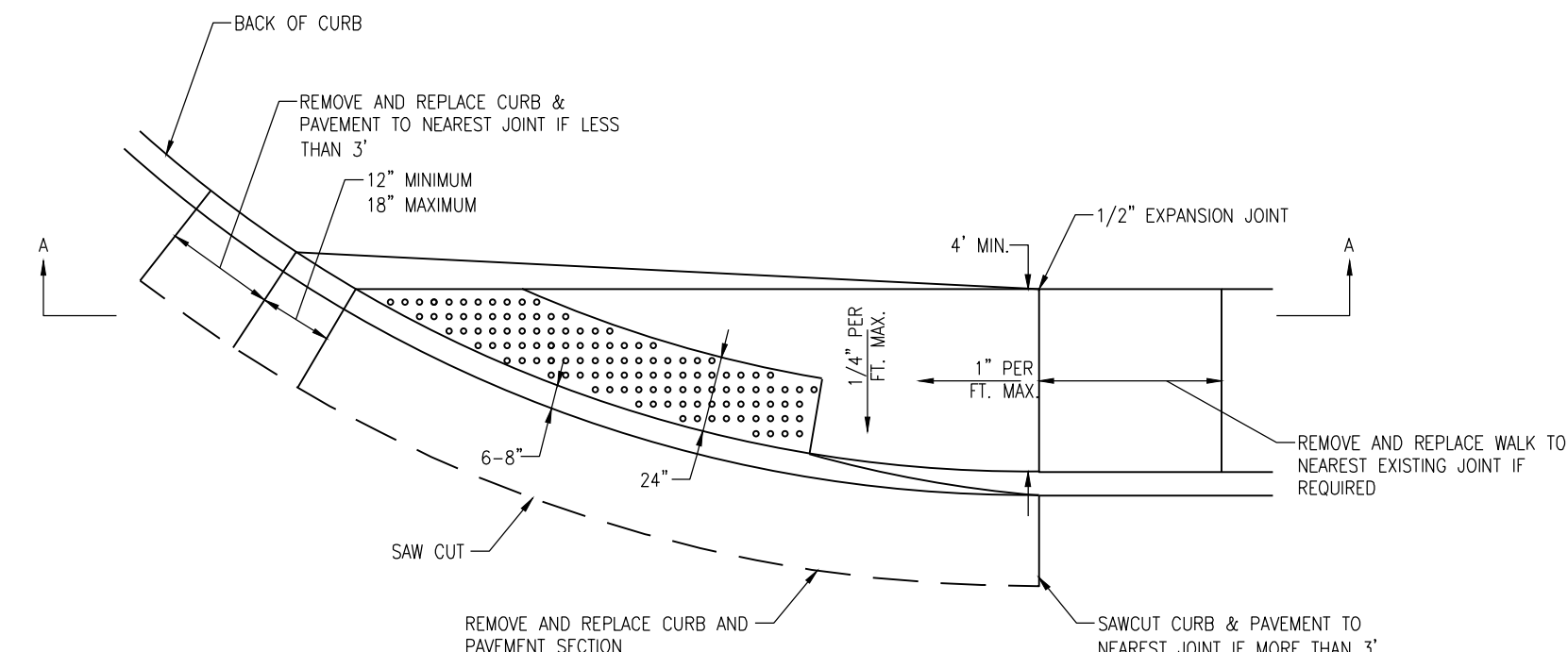


SECTION B-B

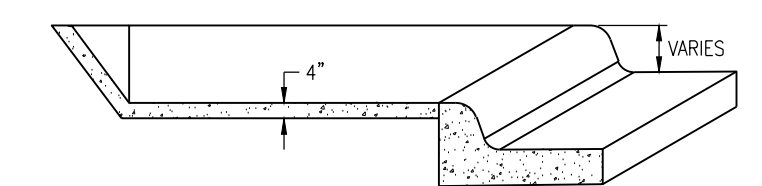
STANDARD WHEELCHAIR RAMP CONSTRUCTION DETAIL FOR STREET WITH MONOLITHIC CURB ON RADIUS WITH 6"± FROM BACK OF CURB TO PROPERTY CORNER (CLASS C)



STANDARD WHEELCHAIR RAMP CONSTRUCTION DETAIL FOR STREET WITH COMBINED CURB AND GUTTER WITH ONE FULL SIDEWALK (CLASS D)



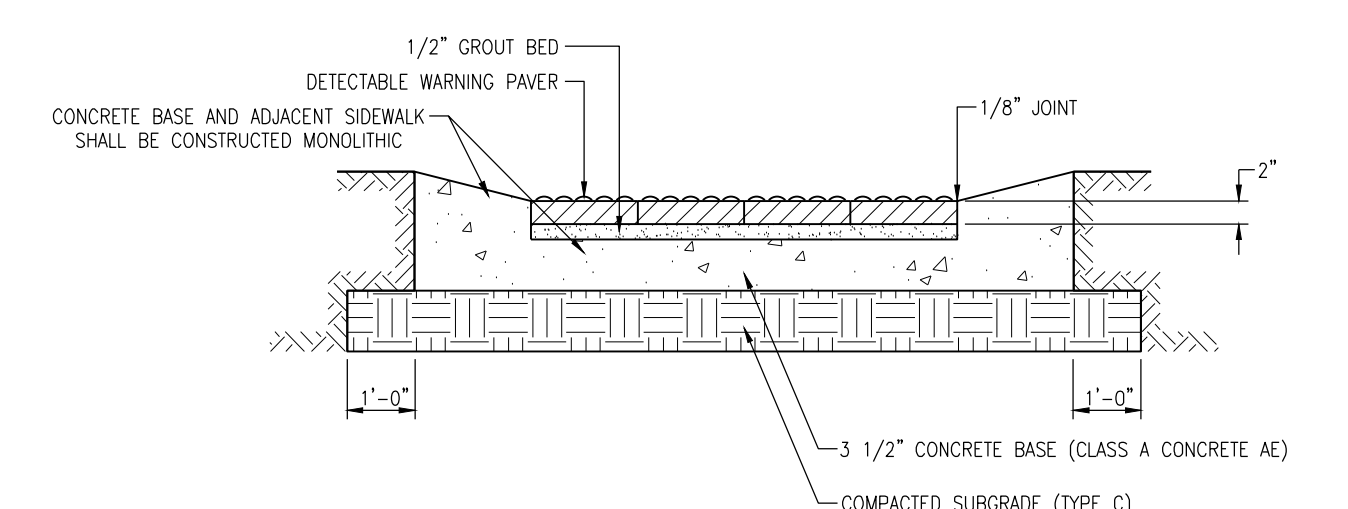
STANDARD WHEELCHAIR RAMP CONSTRUCTION DETAIL FOR STREET WITH MONOLITHIC CURB WITH ONE FULL SIDEWALK (TYPE D)



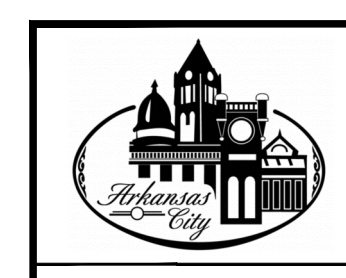
SECTION B-B



TYPICAL SECTION DETECTABLE WARNING PAVEMENT SECTION A-A



NOTE: HANOVER DETECTABLE WARNING PAVERS (OR APPROVED ALTERNATE) SHALL BE USED IN ALL WHEELCHAIR RAMPS. THE 11 3/4" RED 15" PAVEMENT SHALL BE USED IN ALL APPLICATIONS.



CITY OF ARKANSAS CITY, KANSAS
STANDARD SIDEWALK DETAILS

SMITH & OAKES, INC.
CIVIL ENGINEERING / LAND SURVEYING
P.O. BOX 696 / 107 NORTH SUMMIT / ARKANSAS CITY, KS 67005
620-442-4756 / FAX 620-442-0461 / INFO@SMITHANDOAKES.COM

DATE: 2/29/2012	DRAWN BY: JDS	PROJECT #:
	CHECKED BY: CAM	SHEET: